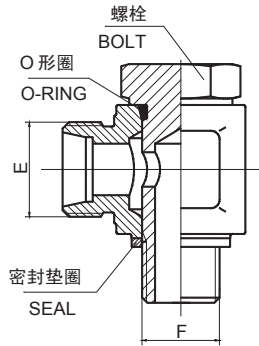
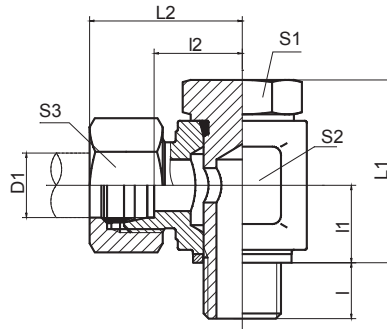


# HYDRAULIC BANJO FITTINGS METRIC BOLT



**1CI**  
**1DI**



**1CI-RN**  
**1DI-RN**

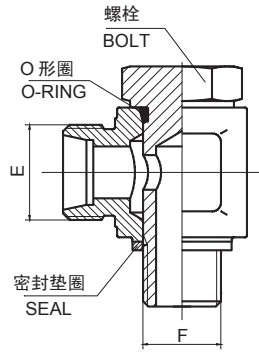
公制螺纹铰接接头  
METRIC BANJO

代号 PART NO.	螺 纹THREAD		管子外径D1 TUBE O.D.	尺 寸DIMENSIONS									螺栓 BOLT	O 形圈 O-RING	密封垫圈 SEAL	压力等级 MPa
	E	F		I	I1	L1	I2	L2	S1	S2	S3					
1CI-12-10	M12X1.5	M10X1	6	8	11	25.5	12	27	14	17	14	700M-10I	O08.1X1.6	ZHD-10	31.5 轻系列 L	
1CI-14-12	M14X1.5	M12X1.5	8	12	14.5	33	14.5	29	17	22	17	700M-12I	O09.3X2.4	ZHD-12		
1CI-16-14	M16X1.5	M14X1.5	10	12	14.5	33	16.5	31	19	24	19	700M-14I	O11.3X2.4	ZHD-14		
1CI-18-16	M18X1.5	M16X1.5	12	12	17	39	19	34	22	27	22	700M-16I	O13.3X2.4	ZHD-16		
1CI-22-18	M22X1.5	M18X1.5	15	12	18.5	42	21.5	37	24	30	27	700M-18I	O15.3X2.4	ZHD-18		
1CI-26-22	M26X1.5	M22X1.5	18	14	21.5	49	22	38	27	32	32	700M-22I	O19.3X2.4	ZHD-22		
1CI-30-26	M30X2	M26X1.5	22	16	24	56	28.5	45	36	41	36	700M-26I	O23.5X3.0	ZHD-27	16 轻系列 L	
1CI-36-33	M36X2	M33X2	28	18	30.5	71	33	50	41	50	41	700M-33I	O29.5X3.0	ZHD-33		
1CI-45-42	M45X2	M42X2	35	20	35.5	82	37	59	50	60	50	700M-42I	O38.5X3.0	ZHD-42		
1CI-52-48	M52X2	M48X2	42	22	40.5	93	41.5	64	55	70	60	700M-48I	O44.5X3.0	ZHD-48		
1DI-14-12	M14X1.5	M12X1.5	6	12	14.5	33	16.5	31	17	22	17	700M-12I	O09.3X2.4	ZHD-12	63 重系列 S	
1DI-16-14	M16X1.5	M14X1.5	8	12	14.5	33	17.5	32	19	24	19	700M-14I	O11.3X2.4	ZHD-14		
1DI-18-16	M18X1.5	M16X1.5	10	12	17	39	19.5	36	22	27	22	700M-16I	O13.3X2.4	ZHD-16		
1DI-20-18	M20X1.5	M18X1.5	12	12	18.5	42	21	37	24	30	24	700M-18I	O15.3X2.4	ZHD-18		
1DI-22-20	M22X1.5	M20X1.5	14	14	20	46	23.5	41	27	32	27	700M-20I	O17.3X2.4	ZHD-20		
1DI-24-22	M24X1.5	M22X1.5	16	14	21.5	49	23	41	27	32	30	700M-22I	O19.3X2.4	ZHD-22		
1DI-30-27	M30X2	M27X2	20	16	24	56	27.5	49	36	41	36	700M-27I	O23.5X3.0	ZHD-27	40 重系列 S	
1DI-36-33	M36X2	M33X2	25	18	30.5	71	32.5	57	41	50	46	700M-33I	O29.5X3.0	ZHD-33		
1DI-42	M42X2	M42X2	30	20	35.5	82	38	65	50	60	50	700M-42I	O38.5X3.0	ZHD-42		
1DI-52-48	M52X2	M48X2	38	22	40.5	93	42.5	73	55	70	60	700M-48I	O44.5X3.0	ZHD-48		

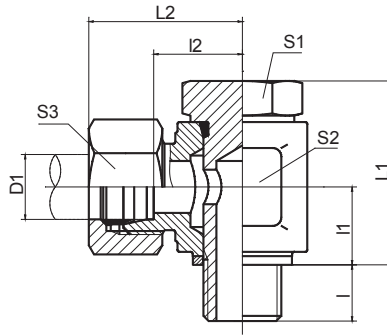
注：如需带卡套及卡套螺母整套订货，则请在代号后加“RN”，如1D1-36-33RN。

Note: In case if you are interested to order the adapter in complete set with cutting ring and nut ,it is necessary to insert suffix "RN" after our part no., for example 1D1-36-33RN.

# HYDRAULIC BANJO FITTINGS BSPP BOLT



**1CI-B  
1DI-B**



**1CI-B/RN  
1DI-B/RN**

英管螺纹铰接接头  
BSP BANJO

代号 PART NO.	螺纹THREAD		管子外径D1 TUBE O.D.	尺寸 DIMENSIONS									螺栓 BOLT	O形圈 O-RING	密封垫圈 SEAL	压力等级 MPa
	E	F		I	I1	L1	I2	L2	S1	S2	S3					
1CI-12-B02	M12X1.5	G1/8"	6	8	11	25.5	12	27	14	17	14	720B-02I	O08.1X1.6	ZHD-10	31.5 轻系列 L	
1CI-14-B04	M14X1.5	G1/4"	8	12	14.5	33	15.5	30	19	24	17	720B-04I	O11.3X2.4	ZHD-14		
1CI-16-B04	M16X1.5	G1/4"	10	12	14.5	33	16.5	31	19	24	19	720B-04I	O11.3X2.4	ZHD-14		
1CI-18-B06	M18X1.5	G3/8"	12	12	16.5	38	19	34.5	24	27	22	720B-06I	O15.3X2.4	ZHD-18		
1CI-22-B08	M22X1.5	G1/2"	15	14	21.5	49	22.5	38	27	32	27	720B-08I	O19.3X2.4	ZHD-22		
1CI-26-B08	M26X1.5	G1/2"	18	14	21.5	49	22	38	27	32	32	720B-08I	O19.3X2.4	ZHD-22		
1CI-30-B12	M30X2	G3/4"	22	16	24	56	28.5	45	36	41	36	720B-12I	O23.5X3.0	ZHD-27	16 轻系列 L	
1CI-36-B16	M36X2	G1"	28	18	30.5	71	33	50	41	50	41	720B-16I	O29.5X3.0	ZHD-33		
1CI-45-B20	M45X2	G1.1/4"	35	20	35.5	82	37	59	50	60	50	720B-20I	O38.5X3.0	ZHD-42		
1CI-52-B24	M52X2	G1.1/2"	42	22	40.5	93	41.5	64	55	70	60	720B-24I	O44.5X3.0	ZHD-48		
1DI-14-B04	M14X1.5	G1/4"	6	12	14.5	33	17.5	32	19	24	17	720B-04I	O11.3X2.4	ZHD-14	63 重系列 S	
1DI-16-B04	M16X1.5	G1/4"	8	12	14.5	33	17.5	32	19	24	19	720B-04I	O11.3X2.4	ZHD-14		
1DI-18-B06	M18X1.5	G3/8"	10	12	16.5	38	21	38	24	30	22	720B-06I	O15.3X2.4	ZHD-18		
1DI-20-B06	M20X1.5	G3/8"	12	12	16.5	38	21	38	24	30	24	720B-06I	O15.3X2.4	ZHD-18		
1DI-22-B08	M22X1.5	G1/2"	14	14	21.5	49	23.5	41	27	32	27	720B-08I	O19.3X2.4	ZHD-22		
1DI-24-B08	M24X1.5	G1/2"	16	14	21.5	49	23	41	27	32	30	720B-08I	O19.3X2.4	ZHD-22		
1DI-30-B12	M30X2	G3/4"	20	16	24	56	27.5	49	36	41	36	720B-12I	O23.5X3.0	ZHD-27	40 重系列 S	
1DI-36-B16	M36X2	G1"	25	18	30.5	71	32.5	57	41	50	46	720B-16I	O29.5X3.0	ZHD-33		
1DI-42-B20	M42X2	G1.1/4"	30	20	35.5	82	38	65	50	60	50	720B-20I	O38.5X3.0	ZHD-42		
1DI-52-B24	M52X2	G1.1/2"	38	22	40.5	93	42.5	73	55	70	60	720B-24I	O44.5X3.0	ZHD-48		

注：如需带卡套及卡套螺母整套订货，则请在代号后加“RN”，如 1D1-36-B16RN。

Note: In case if you are interested to order the adapter in complete set with cutting ring and nut ,it is necessary to insert suffix "RN" after our part no., for example 1D1-36-B16RN.